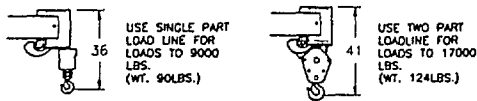
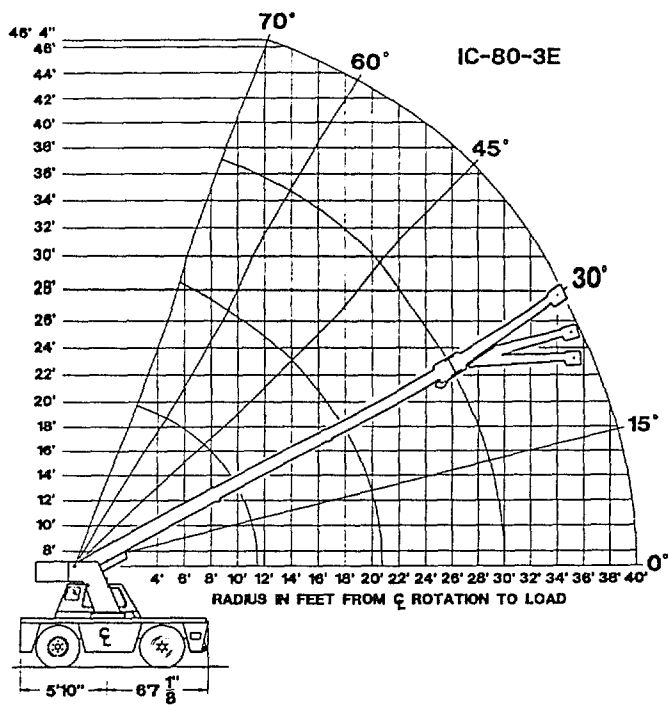




**DMC BRODERSON**  
Manufacturing Corp.

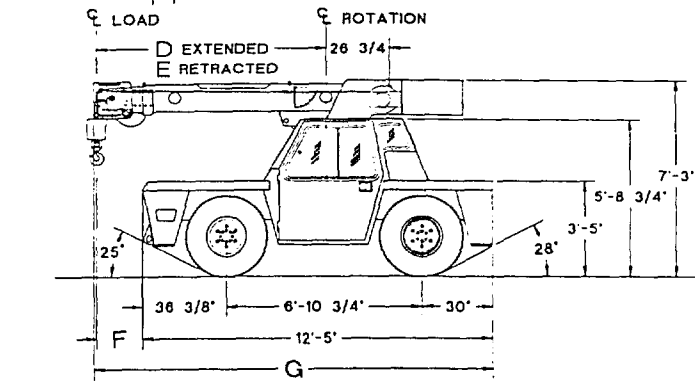
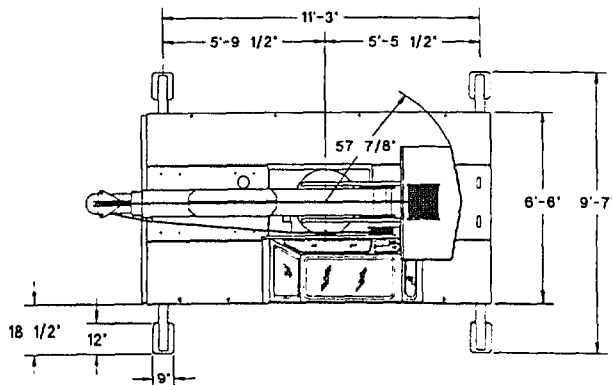
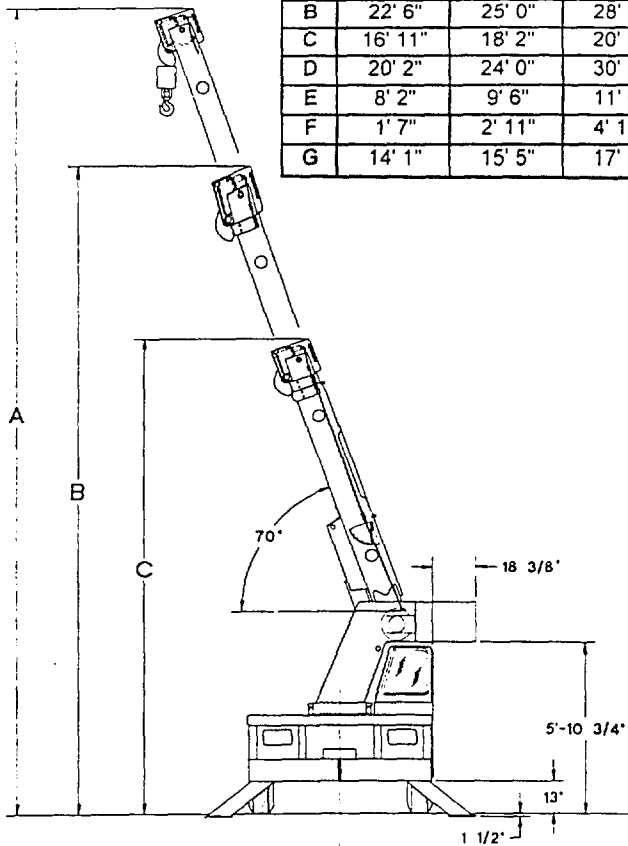
P.O. Box 14770, Lenexa, KS 66285-4770  
(913) 888-0606 • FAX (913) 541-0690  
• FAX (913) 888-8431 • Sales

This information is for reference use only. Operators manual should be consulted and adhered to.  
Please contact CONNELLY CRANE RENTAL at (313) 531-2700 for further information.



IC-80-3E

	IC-80-1E	IC-80-2E	IC-80-3E
A	28' 2"	31' 9"	37' 5"
B	22' 6"	25' 0"	28' 9"
C	16' 11"	18' 2"	20' 0"
D	20' 2"	24' 0"	30' 0"
E	8' 2"	9' 6"	11' 6"
F	1' 7"	2' 11"	4' 11"
G	14' 1"	15' 5"	17' 5"



**CAPACITIES APPLY TO OPERATION ON FIRM LEVEL SURFACE**

LOAD RADIUS FEET	MAIN BOOM OR EXTENSION CAPACITIES IN POUNDS				
	360° ROTATION		OVER FRONT		
	ON RUBBER	ON OUTRIGGERS	ON RUBBER	ON OUTRIGGERS	
<b>5</b>	9400	17000	11400	17000	
<b>6</b>	7550	14000	10000	14000	
<b>8</b>	5250	10000	8100	10000	
<b>10</b>	3600	7700	6100	7700	
<b>12</b>	2650	6100	4450	6100	
<b>14</b>	2050	5200	3400	5200	
<b>16</b>	1600	4400	2700	4400	
<b>18</b>	1250	3650	2200	3900	
<b>20</b>	1050	3050	1800	3400	
<b>22</b>	850	2650	1550	3050	
<b>24</b>	750	2300	1350	2800	
<b>26</b>	650	2050	1150	2550	
<b>28</b>	550	1850	1000	2350	
<b>30</b>	450	1650	900	2150	
<b>32</b>	350	1550	750	1950	
<b>34</b>	250	1400	650	1800	
<b>36</b>	200	1250	550	1650	
<b>38</b>	150	1100	450	1500	
<b>40</b>	100	1000	400	1400	
<b>10-FOOT BOOM EXTENSION - STRAIGHT OR OFFSET</b>					
<b>MAIN BOOM ANGLE</b>					
EXTENSION ANGLE	0°	30°	45°	60°	70°
† 1 0°	2250	2600	3200	5000	7000
† 15°	---	2400	2700	3500	4200
† 130°	---	2250	2500	3000	3300

\* USE 0° FOR STRAIGHT BOOM EXTENSION  
 † USE 0°, 15° OR 30° FOR OFFSET BOOM EXTENSION  
 BOOM EXT. LOADS MUST NOT EXCEED MAIN BOOM CAPACITY.

Capacities on outriggers are 85% of tipping loads. Capacities on rubber are 75% of tipping loads. Capacities below BOLD line are limited by tipping. Other capacities are limited by structural or hydraulic capabilities. Deduct 120 pounds with Boom Extension in stowed position.

Listed below are brief descriptions of each option available for the IC-80-E Industrial Cranes. Consult the IC-80-E Engineering Spec for additional information on each option.

**MODELS:**

1. IC-80-1E Industrial Crane with 8'2"-20'2" Boom
2. IC-80-2E Industrial Crane with 9'6"-24' Boom
3. IC-80-3E Industrial Crane with 11'6"-30' Boom

**ENGINE:**

5. **LP Gas Fuel System**  
Contains all necessary components for LP gas operations.
6. **Dual Fuel System**  
Contains all necessary components to burn LP gas and gasoline.  
**Diesel Engines:**
7. **Cummins**  
4-cylinder, Model 4B3.9 7.
8. **Perkins**  
4-cylinder, Model D4.236
9. **John Deere**  
4-cylinder, Model 4239D
10. **Spark Arrester Muffler**  
Installed in addition to std. muffler.
11. **Catalytic Convertor**  
Reduces engine emissions, Diesel only.  
**Engine Heater**  
Engine coolant heater installed to circulate warm water through engine, plugs into 120 volt AC.
13. **Ether Injection System**  
Ether starting aid controlled by switch in operator compartment and injects ether directly into intake manifold.
14. **Engine Shut Down Gauges**  
Shuts engine off when high water temperature or low engine oil pressure occurs.

**FRONT AXLE OPTIONS:**

16. **Four-Wheel Steering**  
Hurth drive/steer axle for four-wheel steering, differential equipped with Limited Slip Differential.

**TIRE OPTIONS:**

- Solid Rubber Tires:**
18. 8.25 x 15
  19. Low Profile
  20. 10.00 x 15, 14-Ply Rating, Mining & Industrial Tires
  21. 10.00 x 15 Tires, Foam Filled
- SPARE TIRE AND WHEELS:**
22. 10.00 x 15, 14-ply, Highway Tread
  23. 10.00 x 15 Mining & Industrial

**CHASSIS OPTIONS:**

**Outrigger Control - Selector**  
Provide electric selector valves with existing two controls for individual operation.

**CHASSIS OPTIONS: Cont'd**

26. **Outrigger Control - Individual**  
Provides four controls for individual outrigger operations.
27. **Auxiliary Winch**  
Mounted behind front bumper, hydraulically driven with control in operator's console.  
**Pintle Hook:**
28. **Pintle Hook, Rear**
29. **Pintle Hook, Front**
30. **Headlight and Taillight Grilles**  
Welded steel protective grilles for headlights and taillights.
31. **Rearview Mirrors**  
One mounted on right-hand deck stake and 1 mounted on left-hand deck stake.
32. **Lifting Rings**  
Lifting rings at each corner of carry deck so sling can be attached for lifting crane.

**OPERATOR COMPARTMENT OPTIONS:**

33. **Operator Guard**  
Tubular steel weldment with heavy expanded steel mesh top section.
34. **Operator Guard Cover**  
Clear vinyl cover to go over Operator Guard, for inclement weather operations.
35. **Operator Guard Door**  
Hinged door covers operator compartment side opening.
36. **All-Weather Cab**  
Rigid-mounted canopy section and removable hinged door. Includes heater, electric windshield wiper, one sliding glass window in the door & one in the right side of canopy. Defroster fan included.
37. **Cab Heater**  
Heater with two-speed fan for units without All Weather Cab.
38. **Windshield Washer**  
Includes reservoir pump and nozzle.
39. **Floor Mat**  
Vinyl mat with foam backing.
40. **Operator Suspension Seat**  
Provides additional operator comfort.
41. **Noise Reduction Kit**  
Includes floor mat, control valve and side panels of foam backed vinyl for noise reduction.

**ELECTRICAL OPTIONS:**

42. **Outrigger Warning System**  
Two-tone alarm is activated when "outrigger down" controls are operated.
43. **Strobe Lights**  
Yellow strobe light mounted on each side of turret weight box.

**ELECTRICAL OPTIONS: Cont'd**

44. **Lighted Instrument Gauges**  
Instrument gauges equipped with lights for night operations.
45. **Amber Rotating Beacons**  
Amber rotating beacon mounted on each side of turret weight box.
46. **Boom Work Lights**  
One work light mounted to boom to light boom tip and one work light mounted to turret to light ground under boom tip.
47. **Boom Work Lights and Beacons**  
Boom work lights and amber rotating beacons installed.
48. **Boom Work Lights and Strobe**  
Boom work lights and strobe lights installed.
49. **Dome Light**  
Interior light installed for units equipped with an All Weather Cab.
50. **Work Lights - Rear**  
Two rectangular work lights in the rear panel of the chassis.

**HYDRAULIC OPTIONS:**

51. **Boom Structural Protection System**  
Important to understand fully the description of the Boom Structural Protection System described in the IC-80 Engineering Spec. This option is not intended to and will not replace an LMI.

**BOOM ATTACHMENTS:**

53. **Boom Extension, 10 Foot**  
Boom stowable.
54. **Boom Extension, 10 Foot, Offsettable**  
Same as item 53, except the boom extension is offsettable to 3 different positions; 0 degree (inline), 15 degree and 30 degree offset.  
**Searcher Hook:**
55. **Link Under Boom**
56. **Nose Mount**
57. **Load Moment Indicator-Krueger or PAT**  
Warns operator of impending overload with audible and visual signals. Prevents overload by stopping boom functions that cause overloads. Readouts for load, boom angle, boom length, and load radius.
58. **Load Indicator - Krueger or PAT**  
Includes 3-sheave load sensor on top of boom and readout box on top of instrument panel.

Should you, as an end user, require an option or special equipment on your IC-80-E that is not listed on our sales literature, please contact your dealer salesperson or the factory to receive a special quoted price.



**GENERAL:**

	<u>Standard</u>	<u>Optional</u>	
	<u>Drive Axle</u>	<u>Drive Steer Axle</u>	
Weight:			
IC-80-1E	14,600 lbs.	14,800 lbs.	
IC-80-2E	14,800 lbs.	15,000 lbs.	
IC-80-3E	15,100 lbs.	15,300 lbs.	
Gradeability:	71%	71%	
Turning Radius: (C/L of Outside Steering Wheel)	15' 0"	10' 6"	
Aisle Width for 90° Turn:	11' 0"	9' 9"	
Boom Movement:	<u>IC-80-1E</u>	<u>IC-80-2E</u>	<u>IC-80-3E</u>
Rotation	Continuous	Continuous	Continuous
Elevation	0° to 70°	0° to 70°	0° to 70°
Extension	12'	14' 6"	18' 6"
Boom Speeds:			
Rotation	1.7 RPM	1.7 RPM	1.7 RPM
Elevation	10.0 sec.	10.0 sec.	10.0 sec.
Extension	28.0 sec.	34.0 sec.	43.0 sec.

**ENGINE:**

	<u>Standard</u>	<u>Optional</u>	<u>Optional</u>	<u>Optional</u>
Make	Continental	Cummins	Perkins	John Deere
Model	TM27	4B3.9	D4.236	4.239
Type	Gas	Diesel	Diesel	Diesel
No. Cyl.	4	4	4	4
Displacement	165 CID	239 CID	236 CID	239 CID
HP @ Gov.				
Speed	64	80	80	76
Fuel Tank Capacity:	20 Gallons			

**TRANSMISSION:**

Make: Borg Warner  
 Model: 72T/T18  
 Type: Reversing gearbox and manual shift 4-speed gearbox.  
 Equipped with torque convertor and transmission oil cooler. Torque convertor has stall ratio of 2.15:1.

<u>Gear Ratio:</u>	<u>Forward</u>	<u>Reverse</u>
First	6.324:1	6.956:1
Second	3.092:1	3.401:1
Third	1.686:1	1.855:1
Fourth	1.000:1	1.000:1

**AXLES:**

<u>Drive Axle:</u>	<u>Standard</u>	<u>Optional</u>
Make	Hurth	Hurth
Model	172	272A
Gear Ratio	11.98:1	11.98:1
Location	Front	Front
<u>Gear</u>	<u>Travel Speed</u>	<u>Drawbar Pull*</u>
First	3 MPH	11,900**
Second	7 MPH	5,820**
Third	12 MPH	3,170
Fourth	21 MPH	1,880

\*Drawbar pull is calculated, based on Continental TM27 engine.  
 \*\*Wheels will spin before these values are reached.

**Steering Axle: (Non-Driving)**

Make	Rockwell
Model	FF-931
Location	Rear

**STEERING:**

**Standard:**  
 Full hydraulic orbitrol unit with two double-acting hydraulic cylinders attached to rear axle.

**Optional:**  
 Full hydraulic orbitrol unit with two double-acting hydraulic cylinders attached to both front and rear axles. Steering modes include: Rear wheel steer & round steer.

**BRAKES:**

**Service:**

Front	Internal wet disc brakes
Rear	Drum type brakes
Parking	Band type mounted on transmission

**TIRES:**

<b>Standard</b>	10.00 x 15, 14-Ply, Highway Tread
<b>Optional</b>	Grizzley Supersoft XS250 x 15 Solid Rubber
<b>Optional</b>	Foam filling of the above pneumatic tires

**CHASSIS:**

**CARGO DECK:**

62 square feet of deck area\*. 14,000 lbs. capacity on deck when load is centered over or between axles\*\*. A storage box is located in front carry deck. Steps located on front corners.  
 \*52 square feet with Cummins or John Deere engine  
 \*\*14,000 pounds allowed at creep speed of 200 feet in 30 minutes

**OUTRIGGERS:**

Four hydraulic outriggers of box beam construction with direct-connected holding valves. Independent controls for left and right-hand outriggers. Outrigger pad dimension 9" x 12".

**ACCESSORY STORAGE BOX:**

Storage box is 14" deep x 10-1/2" long x 27" wide, located in front carry deck.

**ELECTRICAL:**

**12 Volt System**

**Lighting Package:**

One pair headlights with Hi and Low beams, back-up lights, integral tail, brake and turn signals and front turn signals.

**Instrument Package:**

Fuel, ammeter, oil pressure, water temperature, convertor oil temperature gauges and hourmeter.

**Back-Up Alarm:**

Provides pulsating sound when transmission is in reverse.

**HYDRAULIC SYSTEM:**

Tandem pump, direct-driven by engine crankshaft, rated at 16 and 32.5 GPM at rated RPM. Hydraulic oil tank capacity of 16 gallons.

**BOOM ASSEMBLY:**

Three-section boom assembly equipped with bearing pads, double acting hydraulic cylinders with direct-connected holding valves and boom angle indicator on each side of boom.

**Boom Rotation:**

Heavy-duty ball bearing rotation gear with external teeth. Rotation is powered by hydraulic motor and worm gear drive.

**Boom Hoist:**

Turret mounted planetary gear hoist hydraulically powered with a bare drum line pull of 10,000 lbs. at a line speed of 110 FPM. Includes downhaul weight, swivel hook and sheave block for 2-part line and 125 ft. of 9/16" hoist rope.

**Anti-Two Block Device:**

Prevents damage to hoist rope and/or crane components from pulling load hook against tip.