

TECH
SPEC

IC-35-A

**AT A GLANCE:**

- Rated Capacity - 8,000 pounds
- Vertical Reach - 26 feet
- Horizontal Reach - 19 feet
- 360 Degree Rotation
- Carry Deck
- Hydraulic Outriggers

BMC BRODERSON
Manufacturing Corp.

This information is for reference use only. Operators manual should be consulted and adhered to.

Please contact CONNELLY CRANE RENTAL at (313) 531-2700 for further information.

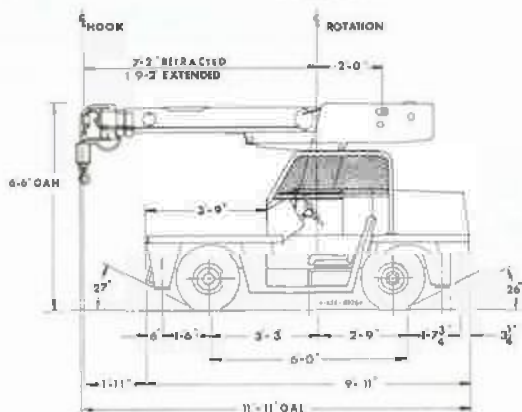
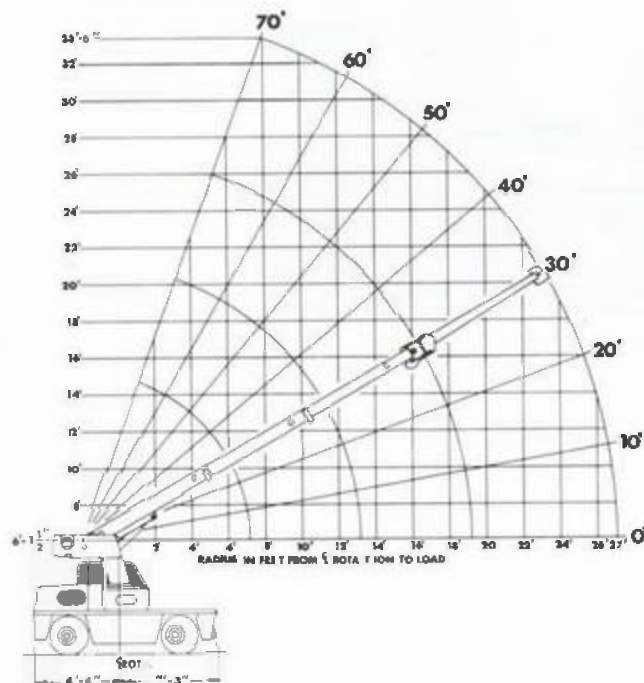
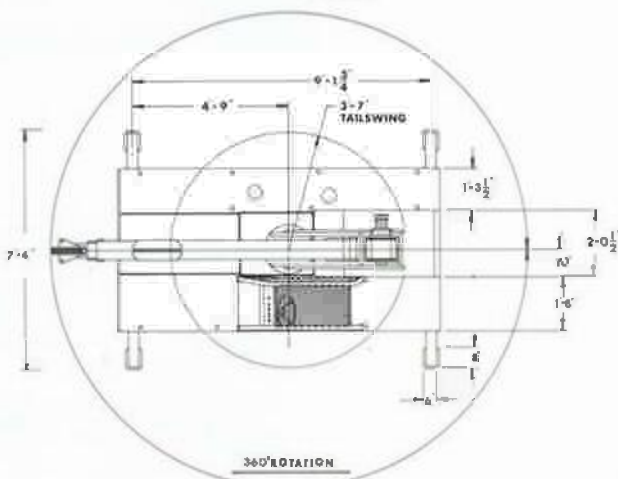
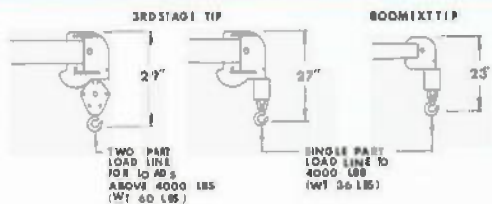
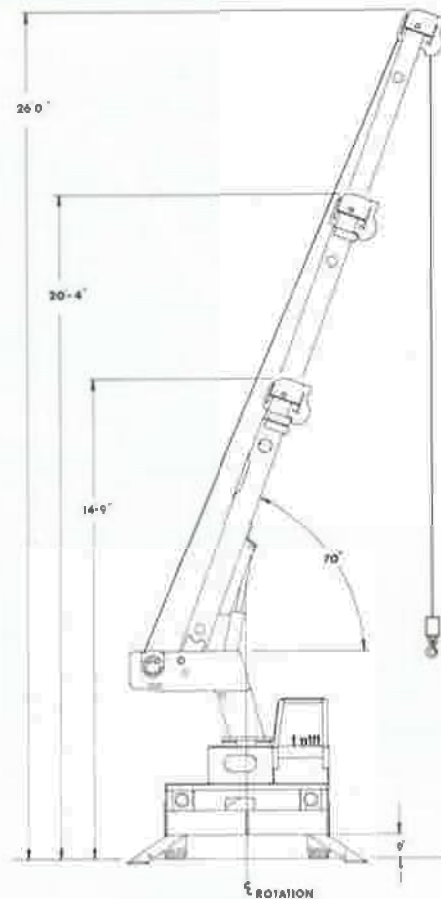


IC-35-2A

LOAD RADIUS FEET	MAIN BOOM CAPACITY IN POUNDS								
	360° ROTATION		OVER FRONT						
	ON RUBBER	ON OUTRIGGERS	ON RUBBER	ON OUTRIGGERS					
MAIN BOOM	4	5000	8000	6700	8000				
	5	4000	6800	5800	6800				
	6	2850	5850	5100	5850				
	8	1800	4150	3500	4150				
	10	1250	3200	2350	3400				
	12	900	2350	1750	2850				
	14	700	1850	1350	2450				
	16	600	1500	1100	2150				
	18	500	1250	950	1950				
	19	450	1150	900	1850				
8' BOOM EXTENSION	20	400	1100	850	1600				
	22	300	900	700	1450				
	24	250	800	400	1300				
	26	200	700	500	1150				
	27	150	650	450	1100				
	BOOM ANGLE		0°	10°	20°	30°	40°	50°	60°
CAPACITY		1100	1200	1300	1450	1600	1850	2300	3500

Capacities on outriggers are 85% of tipping loads. Capacities on rubber are 75% of tipping loads. Capacities below **BOLD** line are limited by tipping. Other capacities are limited by structural or hydraulic capabilities.

Caution: Boom extension loads must not exceed main boom capacity.



This information is for reference use only. Operators manual should be consulted and adhered to.

Please contact CONNELLY CRANE RENTAL at (313) 531-2700 for further information.

TECH
SPEC**General:****Weight**

- IC-35-1A - 7,500 pounds
- IC-35-2A - 7,100 pounds

- Travel Speed - 0 to 10MPH
- Drawbar Pull - 2,300 pounds
- Gradeability - 31% (17°)

Engine:

	Standard	Optional
Make	Ford	Perkins
Model	VSG413	104.19-IDI
No. of Cylinders	4	4
Displacement	79 CID	122 CID
HP @ Governed Speed	42HP	42 HP

Fuel Tank Capacity- 13.5 Gallons

Electrical:

- 12 Volt System
- Lighting Group:
 - 1 pair headlights & 1 pair taillights
- Instrument Group:
 - Fuel, ammeter, oil pressure, water temperature, hydrostatic oil temperature gauges, hourmeter.
- Back-Up Alarm:
 - Provides pulsating sound when transmission is in reverse.

Hydrostatic Pump:

Piston type, driveline driven from engine crankshaft.
36 GPM @ 3,000 RPM engine. 4,000 PSI relief pressure.

Axles:

- Front Drive Axle:
 - Contains planetary geared torque hubs and high torque hydraulic drive motors. Axle oscillates a total of 1-1/2".
- Rear Steering Axle:
 - Non-oscillating.

Steering:

Full hydraulic orbitrol unit with one double-acting 2-1/2" cylinder attached to rear axle.

Tires:

7.50 x 10 pneumatic, 16-ply rating, front & rear

Brakes:

Front actuated disc service brake built into each torque hub. Overcenter park brake lever provided.

Outrigger:

Four hydraulic outriggers with box beam construction. Hydraulic cylinders are equipped with direct-connected holding valves.

Cargo Deck:

29 sq. ft. deck area, 6,000 pounds capacity over front axle.

Hydraulic System:

- Tandem pump mounted to rear of hydrostatic piston pump.
- Delivers 6 & 12 GPM at 3,000 RPM, 2,600 PSI relief pressure.
- Hydraulic oil tank has 14 gallons capacity.
- Hydraulic oil cooler provided.

Crane:**Boom Movement:**

- Rotation 360° (Continuous Rotation, Optional)
- Elevation 0 to 70°
- Extension:
 - IC-35-1A 5' to 17'
 - IC-35-2A 7' to 19'

Boom Speeds:

- Rotation 360° in 26 seconds.
- Elevation 10 seconds.
- Extension 36 seconds.

Boom Assembly:

Three-section boom assembly equipped with bearing pads, double-acting hydraulic cylinders equipped with direct-connected holding valves and boom angle indicators on each side of boom.

Boom Rotation:

Heavy-duty ball bearing rotation gear with external teeth. Rotation is powered by hydraulic motor and worm gear drive.

Hydraulic Winch:

- Turret-mounted planetary winch.
- Hydraulic powered.
- Bare drum line pull of 4,600 lbs. (1st wrap)
- Winch line speed of 86 FPM. (1st wrap)
- 85 ft of 3/8" dia. 6 x 37 IWRC wire rope (B.S., 15, 100 lbs.)
- Sheave Block provided for 2-part line.
- Downhaul weight provided for single-part line for loads to 4,000 lbs.

Anti-Two Block Device with Trip Arm:

Prevents damage to hoist rope and/or machine components. Dumps hydraulics for Telescope Out, Boom Down and Hoist Up.